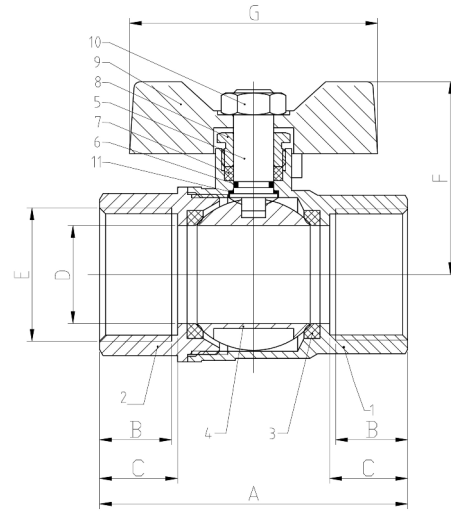


CP90TY

Brass Nickel Plated Full Bore Ball Valve c/w T-Handle



TECHNICAL DESCRIPTION

FUNCTION

Shut-Off

SIZE RANGE

DN08 - DN25 (1/4" - 1")

PRESSURE RATING

PN40

TEMPERATURE RANGE

-20°C ~ 120°C (Gas MOP 5 -20 °C ~ 60 °C)

BODY MARKING

DN, PN, Batch Date, CW617N

COLOUR

T-Handle: Yellow

APPROVALS

WRAS

Gas EN331:1998+A1:2010

MATERIAL CONSTRUCTION AND SPECIFICATION

- | | |
|--------------|---------------------------------------|
| 1. BODY: | CW617N Brass Nickel Plated |
| 2. BONNET: | CW617N Brass Nickel Plated |
| 3. SEAT: | PTFE |
| 4. BALL: | CW617N Brass Chrome Plated (Polished) |
| 5. STEM: | CW617N Brass Nickel Plated |
| 6. O-RING: | VITON |
| 7. PACKING: | PTFE |
| 8. LOCK NUT: | HPb57-3 Brass |
| 9. HANDLE: | Q235 Chrome Plated and PVC Sleeve |
| 10. NUT: | Stl/Stl (White Zinc Plating) |
| 11. GASKET: | PTFE |

CONNECTION

ISO-7/2000 Rc Taper, ISO-7/2000 Rp Parallel, NPT

DIMENSIONS (mm)

SIZE	1/4"	3/8"	1/2"	3/4"	1"			
CODE*	CP90TY-x008	CP90TY-x010	CP90TY-x015	CP90TY-x020	CP90TY-x025			
A	45	45	56.7	67	77			
B	10	10	14	16.5	18			
C	11.5	11.5	15	18	19.5			
ØD	10	10	14.5	19	25			
E	1/4"	3/8"	1/2"	3/4"	1"			
F	35	35	40	43.5	52			
G	52	52	52	52	62			
PN	40	40	40	40	40			
Kv								
WEIGHT(g)	141	155	187	295	460			
PACKING	10/120	10/120	6/120	20/80	12/48			

NB: 1/4" and 3/8" are NOT approved

*substitute x with P for Parallel, T for Taper and N for NPT

Pressure and temperature ratings are MINIMUM and MAXIMUM values only and actual performance will be dependant upon application. All images on this page are for guidance only. E&OE. We reserve the right to amend or revise specifications, graphics, texts and diagrams without prior notice or reasons being given.